

Absolute Maximum Ratings (Note 1)

If Military/Aerospace specified devices are required, please contact the National Semiconductor Sales Office/Distributors for availability and specifications.

Supply Voltage	-0.3V to +6.0V
Supply Temperature	-65°C to +150°C
Input Voltage	-0.3V to $V_{DD} + 0.3V$
Power Dissipation (Note 3)	Internally Limited
ESD Susceptibility (Note 4)	5000V
ESD Susceptibility (Note 5)	250V
Junction Temperature	150°C
Soldering Information	
Small Outline Package	

Vapor Phase (60 sec.)	215°C
Infrared (15 sec.)	220°C
θ_{JC} (typ)—M08A	35°C/W
θ_{JA} (typ)—M08A	140°C/W
θ_{JC} (typ)—N08E	37°C/W
θ_{JA} (typ)—N08E	107°C/W

Operating Ratings

Temperature Range	$T_{MIN} \leq T_A \leq T_{MAX}$	$-40^\circ\text{C} \leq T_A \leq 85^\circ\text{C}$
Supply Voltage		$2.0V \leq V_{DD} \leq 5.5V$

Electrical Characteristics (Notes 1, 2)

The following specifications apply for $V_{DD} = 5V$, $V_{PIN3} = V_{PIN2}$, $V_{SHUTDOWN} = 0V$, and $R_L = 10\Omega$ unless otherwise specified. Limits apply for $T_A = 25^\circ\text{C}$.

Symbol	Parameter	Conditions	LM9022			Units
			Min (Note 7)	Typical (Note 6)	Max (Note 7)	
I_{DD}	Quiescent Power Supply Current	$V_{IN} = 0V$, $I_o = 0A$, $V_{SHUTDOWN} = 0V$		6.5	10.0	mA
	Power Supply Current during shutdown	$V_{SHUTDOWN} = V_{DD}$ (Note 8)		0.6	2	μA
V_{BP}	Bypass Pin Voltage	$V_{IN} = 0V$	2.4	2.5	2.6	V
V_{OUT}	Output Voltage Across R_L	$R_L = 10\Omega$	3.6	4.3		V
		$R_L = 20\Omega$	4.2	4.6		V

Note 1: *Absolute Maximum Ratings* indicate limits beyond which damage to the device may occur. *Operating Ratings* indicate conditions for which the device is functional, but do not guarantee specific performance limits. *Electrical Characteristics* state DC and AC electrical specifications under particular test conditions which guarantee specific performance limits. This assumes that the device is within the Operating Ratings. Specifications are not guaranteed for parameters where no limit is given, however, the typical value is a good indication of device performance.

Note 2: All voltages are measured with respect to the ground pin, unless otherwise specified.

Note 3: The maximum power dissipation must be derated at elevated temperatures and is dictated by T_{JMAX} , θ_{JA} , and the ambient temperature T_A . The maximum allowable power dissipation is $P_{DMAX} = (T_{JMAX} - T_A) / \theta_{JA}$ or the number given in Absolute Maximum Ratings, whichever is lower. For the LM9022, $T_{JMAX} = 150^\circ\text{C}$. For the θ_{JA} 's for different packages, please see the **Application Information** section or the **Absolute Maximum Ratings** section.

Note 4: Human body model, 100pF discharged through a 1.5k Ω resistor.

Note 5: Machine Model, 220pF–240pF discharged through all pins.

Note 6: Typicals are specified at 25°C and represent the parametric norm.

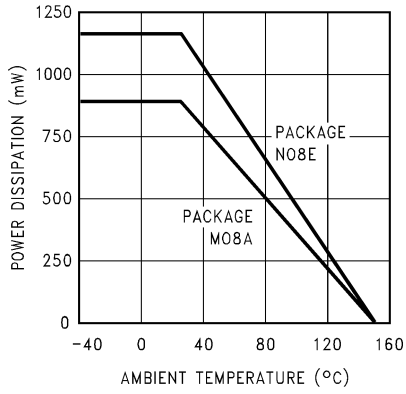
Note 7: Limits are guaranteed to National's AOQL (Average Outgoing Quality Level) by design, test, or statistical analysis.

Note 8: Both outputs are high impedance when in shutdown mode.

Typical Performance Characteristics

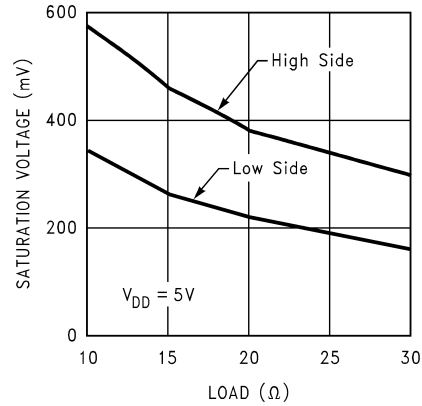
$T_A = 25^\circ\text{C}$, $V_{DD} = 5\text{V}$, unless otherwise specified.

Power Derating Curve



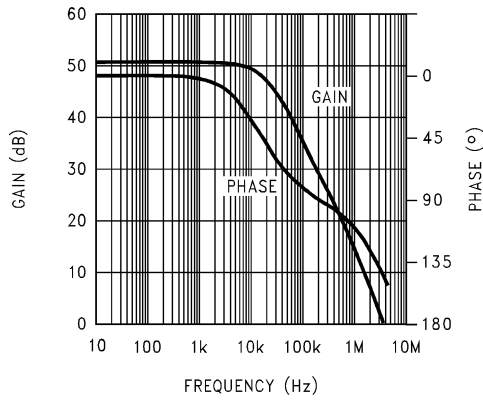
20021514

Output Saturation Voltage vs Load



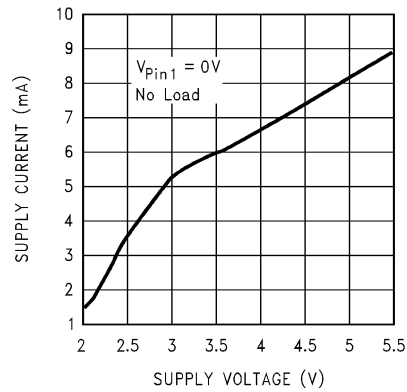
20021515

Open Loop Frequency Response



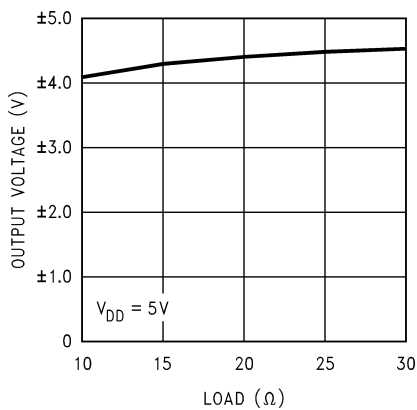
20021519

Supply Current vs Supply Voltage



20021520

Differential Output Voltage vs Load



20021540

Application Information

LM9022 FUNCTIONALITY

Typically a VFD filament requires a low voltage AC power source in order to create a constant brightness across its length. Such a power source is not readily available in a most systems. Existing implementations show different circuits for supplying an AC power for a VFD filament but they require an AC power input, or do not have a standby control, or generate high EMI. The LM9022 can solve all these problems in one compact circuit.

A DC power supply is employed to power two power operational amplifiers: POA1 and POA2. The first power operational amplifier (POA1) can utilize an external feedback circuit that will cause it self-oscillate. In a second version, POA1 is driven from an external signal source. The shape of the output wave delivered by POA1 can be square, sinusoidal, triangular, trapezoidal, clipped sinusoidal or any other shape, depending on the feedback circuit or the signal source used. The output of this POA1 is connected externally to one end of the VFD filament, and internally to the input of a second power operational amplifier: POA2. POA2 is internally configured as an inverting unity gain circuit. The output of the POA2 is connected to the second end of the VFD filament. This provides a differential and symmetrical AC signal to the fila

An external standby control signal applied to the Shutdown pin can be used to turn of both power operational amplifiers.

BRIDGE CONFIGURATION EXPLANATION

As shown in *Figure 1*, the LM9022 has two operational amplifiers internally. *Figure 1* shows that the output of amplifier one serves as the input to amplifier two, which results in both amplifiers producing signals identical in magnitude, but 180° out of phase.

By driving the load differentially through outputs Vo1 and Vo2, an amplifier configuration commonly referred to as "bridged mode" is established. Bridged mode operation is different from the classical single-ended amplifier configuration where one side of its load is connected to ground.

A bridge amplifier design has a few distinct advantages over the single-ended configuration, as it provides differential drive to the load, thus doubling output swing for a specified supply voltage. Four times the output power is possible as compared to a single-ended amplifier under the same conditions.

POWER DISSIPATION

For the SO package, $\theta_{JA} = 140^{\circ}\text{C/W}$, for the DIP package, $\theta_{JA} = 107^{\circ}\text{C/W}$, and for the MSOP package, $\theta_{JA} = 210^{\circ}\text{C/W}$ assuming free air operation. The θ_{JA} can be decreased by using some form of heat sinking. The resultant θ_{JA} will be the

summation of the θ_{JC} , θ_{CS} , and θ_{SA} . θ_{JC} is the junction to case of the package, θ_{CS} is the case to heat sink thermal resistance and θ_{SA} is the heat sink to ambient thermal resistance. By adding additional copper area around the LM9022, the θ_{JA} can be reduced from its free air value for the SO package. Depending on the ambient temperature, T_A , and the θ_{JA} , Equation 2 can be used to find the maximum internal power dissipation supported by the IC packaging. If the result of Equation 1 is greater than that of Equation 2, then either the supply voltage must be decreased, the load impedance increased, the θ_{JA} decreased, or the ambient temperature reduced. For the typical application of a 5V power supply, with an 10 Ω load, and no additional heatsinking, the maximum ambient temperature possible without violating the maximum junction temperature is approximately 61°C provided that device operation is around the maximum power dissipation point and assuming surface mount packaging.

POWER SUPPLY PIN

As with any power device, proper supply bypassing is critical for low noise performance. Typical applications will require both a 22 μf electrolyte and a 0.1 μF ceramic capacitor to bypass the supply pin to ground. These capacitors should be as close to the LM9022 as is physically possible, and are in addition to any capacitors that may be needed for regulator stability.

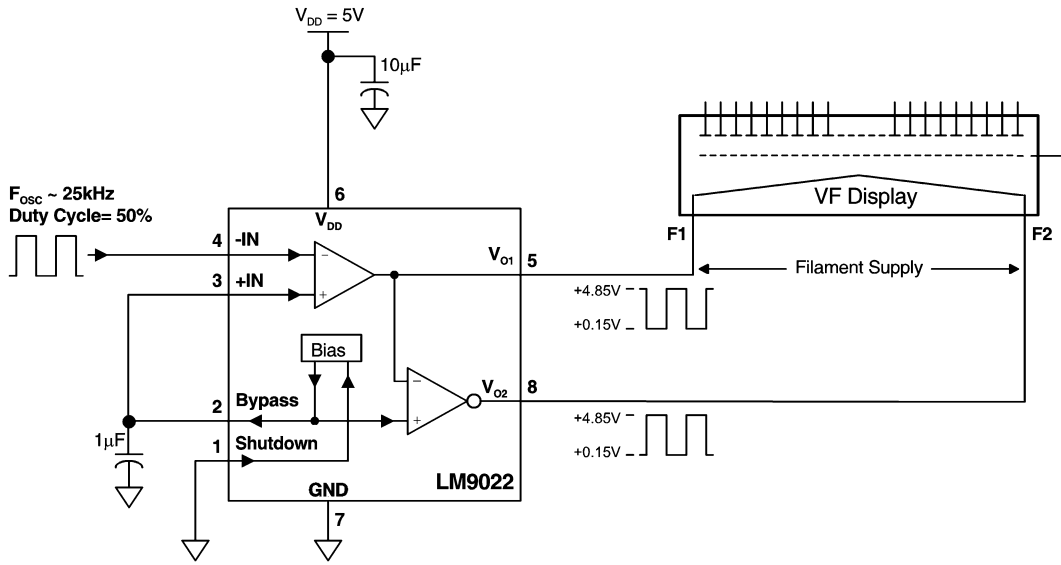
BYPASS PIN

The internal bias circuit (Fig 1) generates an internal reference voltage that is typically equal to one half of V_{DD} . This voltage is available at the bypass pin and is applied directly to the non-inverting input of the inverting driver. Typical applications will require a bypass capacitor in the range of 0.1 μF to 1 μF to bypass the supply pin to ground. This capacitor should be as close to the LM9022 as is physically possible.

SHUTDOWN FUNCTION

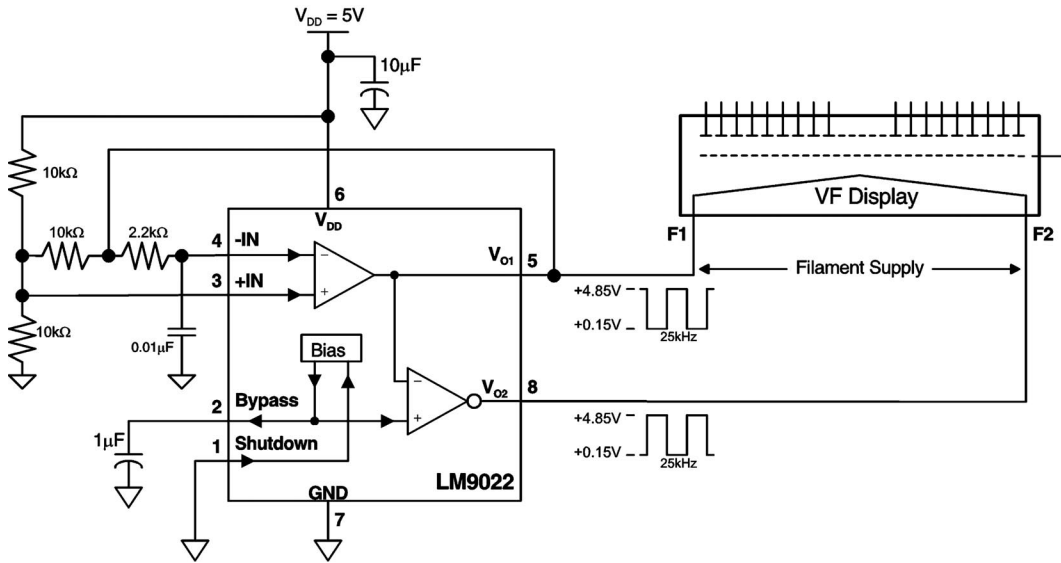
In order to reduce power consumption while not in use, the LM9022 contains a shutdown pin to externally turn off the amplifier's bias circuitry. This shutdown feature turns the amplifier off when a logic high is placed on the shutdown pin. The trigger point between a logic low and logic high level is typically half-supply. It is best to switch between ground and supply to provide maximum device performance. By switching the shutdown pin to V_{DD} , the LM9022 supply current draw will be minimized in idle mode. While the device will be disabled with shutdown pin voltages less than V_{DD} , the idle current may be greater than the typical value of 0.6 μA . In either case, the shutdown pin should be tied to a definite voltage to avoid unwanted state changes.

Application Information (Continued)



20021544

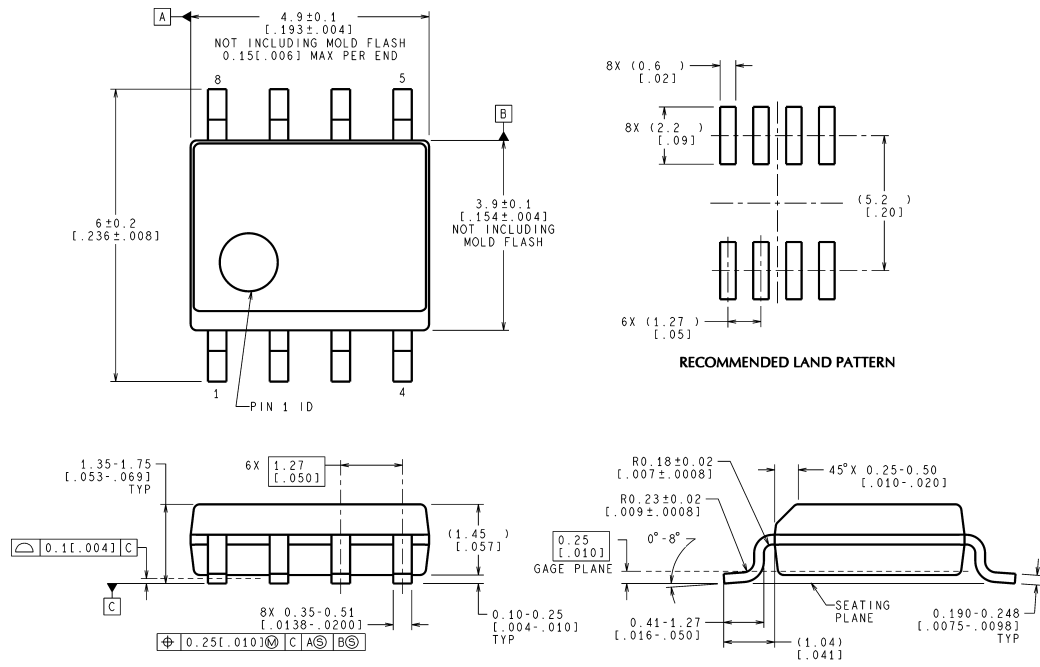
FIGURE 2. Filament Supply using External Oscillator



20021545

FIGURE 3. Filament Supply using Self Oscillation

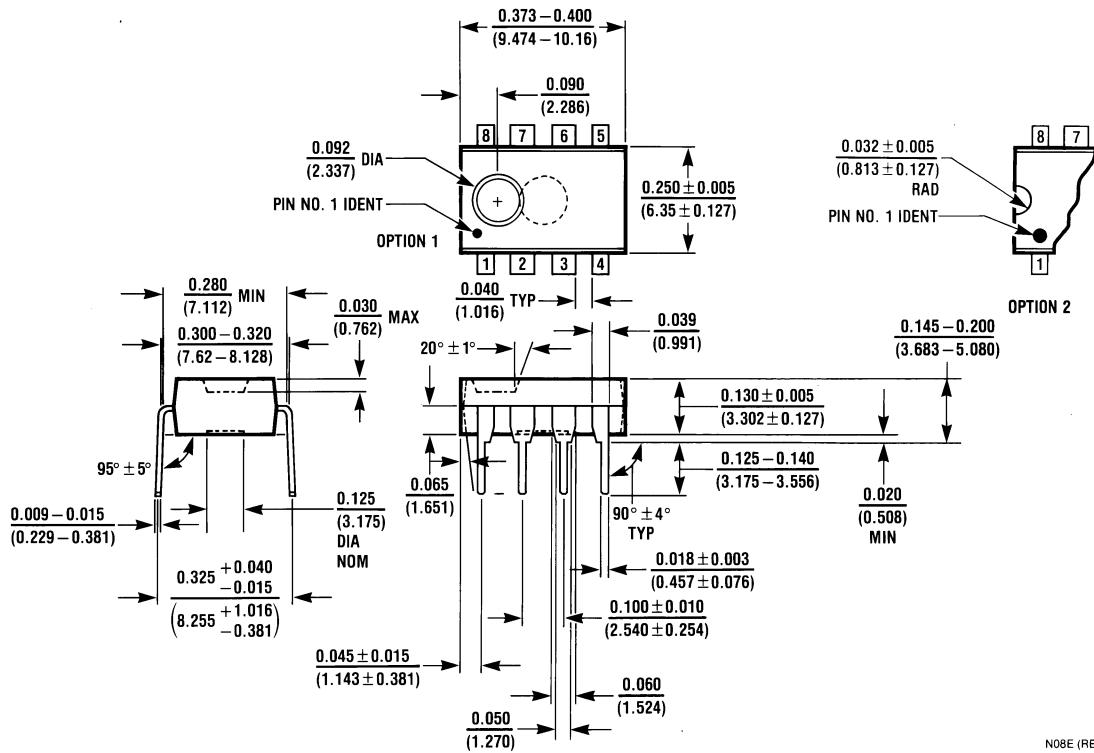
Physical Dimensions inches (millimeters) unless otherwise noted



CONTROLLING DIMENSION IS MILLIMETER
VALUES IN [] ARE INCHES
DIMENSIONS IN () FOR REFERENCE ONLY

M08A (Rev K)

Order Number LM9022M
NS Package Number M08A



Order Number LM9022N
NS Package Number N08E

N08E (REV F)

Notes

National does not assume any responsibility for use of any circuitry described, no circuit patent licenses are implied and National reserves the right at any time without notice to change said circuitry and specifications.
 For the most current product information visit us at www.national.com.

LIFE SUPPORT POLICY

NATIONAL'S PRODUCTS ARE NOT AUTHORIZED FOR USE AS CRITICAL COMPONENTS IN LIFE SUPPORT DEVICES OR SYSTEMS WITHOUT THE EXPRESS WRITTEN APPROVAL OF THE PRESIDENT AND GENERAL COUNSEL OF NATIONAL SEMICONDUCTOR CORPORATION. As used herein:

- | | |
|--|---|
| <p>1. Life support devices or systems are devices or systems which, (a) are intended for surgical implant into the body, or (b) support or sustain life, and whose failure to perform when properly used in accordance with instructions for use provided in the labeling, can be reasonably expected to result in a significant injury to the user.</p> | <p>2. A critical component is any component of a life support device or system whose failure to perform can be reasonably expected to cause the failure of the life support device or system, or to affect its safety or effectiveness.</p> |
|--|---|

BANNED SUBSTANCE COMPLIANCE

National Semiconductor manufactures products and uses packing materials that meet the provisions of the Customer Products Stewardship Specification (CSP-9-111C2) and the Banned Substances and Materials of Interest Specification (CSP-9-111S2) and contain no "Banned Substances" as defined in CSP-9-111S2.

Leadfree products are RoHS compliant.



National Semiconductor
Americas Customer
Support Center
 Email: new.feedback@nsc.com
 Tel: 1-800-272-9959

National Semiconductor
Europe Customer Support Center
 Fax: +49 (0) 180-530 85 86
 Email: europe.support@nsc.com
 Deutsch Tel: +49 (0) 69 9508 6208
 English Tel: +44 (0) 870 24 0 2171
 Français Tel: +33 (0) 1 41 91 8790

National Semiconductor
Asia Pacific Customer
Support Center
 Email: ap.support@nsc.com

National Semiconductor
Japan Customer Support Center
 Fax: 81-3-5639-7507
 Email: jpn.feedback@nsc.com
 Tel: 81-3-5639-7560